

Egg Cooker

User's manual

EN



SENCOR®

SEG 710BP

Prior to using this appliance, please read the user's manual thoroughly, even in cases where you have previously familiarised yourself with the operation of similar types of appliances. Only use the appliance in the manner described in this user manual. Keep this user's manual in a safe place where it can be easily retrieved for future use.

We recommend saving the original shipping cardboard box, packaging material, receipt and responsibility statement of the vendor or warranty card for the duration of warranty. In the event of transportation, we recommend that you pack the appliance in the original box from the manufacturer.

EN-1

TABLE OF CONTENTS

IMPORTANT SAFETY INSTRUCTIONS	3
DESCRIPTION OF THE EGG COOKER.....	6
BEFORE FIRST USE	7
OPERATION OF THE EGG COOKER	7
CLEANING AND MAINTENANCE.....	8
TECHNICAL SPECIFICATIONS	10
INSTRUCTIONS AND INFORMATION REGARDING THE DISPOSAL OF USED PACKAGING MATERIALS	10
DISPOSAL OF USED ELECTRICAL AND ELECTRONIC EQUIPMENT.....	10

IMPORTANT SAFETY INSTRUCTIONS

READ CAREFULLY AND STORE FOR FUTURE USE.

- This appliance may be used by children 8 years of age and older and by persons with physical or mental impairments or by inexperienced persons, if they are properly supervised or have been informed about how to use of the product in a safe manner and understand the potential dangers. Cleaning and maintenance performed by the user must not be performed by children unless they are older than 8 years of age and under supervision. Keep this appliance and the power cord out of reach of children that are younger than 8 years of age.
- Children must not play with the appliance.
- This appliance is designed for domestic use and similar locations such as:
 - staff kitchens in stores, offices and other workplaces;
 - hotel or motel rooms and other living areas;
 - bed and breakfast establishments.
- Before connecting this appliance to a power socket, make sure the voltage stated on the product's rating label corresponds to the voltage in your power socket. Connect the appliance only to a properly grounded socket.
- Do not use the appliance outdoors.
- Only place the appliance on an even, dry and stable surface.
- Do not place the appliance on or near an electric or gas stove or other sources of heat.
- Do not use the appliance in the direct vicinity of a bathtub, wash basin, shower, pool or other similar sources of water.
- The appliance is designed for boiling eggs. Do not use it for other purposes.
- Fill the heating plate of the appliance with water so that it does not flow over its edge. Use the included measuring cup to measure out the correct amount of water.

**Attention:**

Be especially careful not to injure yourself on the egg piercing pin located on the underside of the measuring cup.

- Do not turn the appliance on without the removable egg tray or the lid being properly seated.
- Do not turn on the appliance when it is empty. The incorrect use of the appliance may negatively affect its lifetime.

**Attention:**

The appliance heats up during operation and steam is emitted from the steam outlet. Be especially careful that your skin does not come into contact with the hot surface or the emitted steam. Do not open the lid or handle the appliance in any way. Certain parts of the appliance remain hot even some time after it is turned off. Use the handles to handle the appliance.

- Always turn off the appliance and disconnect it from the power socket if you will not be using it, before disassembly or assembly, before moving or cleaning it.
- Allow the appliance to cool down before cleaning it.
- Do not wash the appliance (except for the removable lid and egg tray) under running water and do not submerge it in water or any other liquid.
- Make sure the power cord is not touching a hot surface. Do not place heavy items on the power cord.
- Do not disconnect the appliance from the power socket by pulling on the power cord. This could damage the power cord or the socket. Disconnect the cord from the power socket by gently pulling the plug of the power cord.
- If the power cord is damaged, have it replaced at a professional service centre. It is forbidden to use the appliance if it has a damaged power cord or plug.

Egg Cooker

SEG 710BP

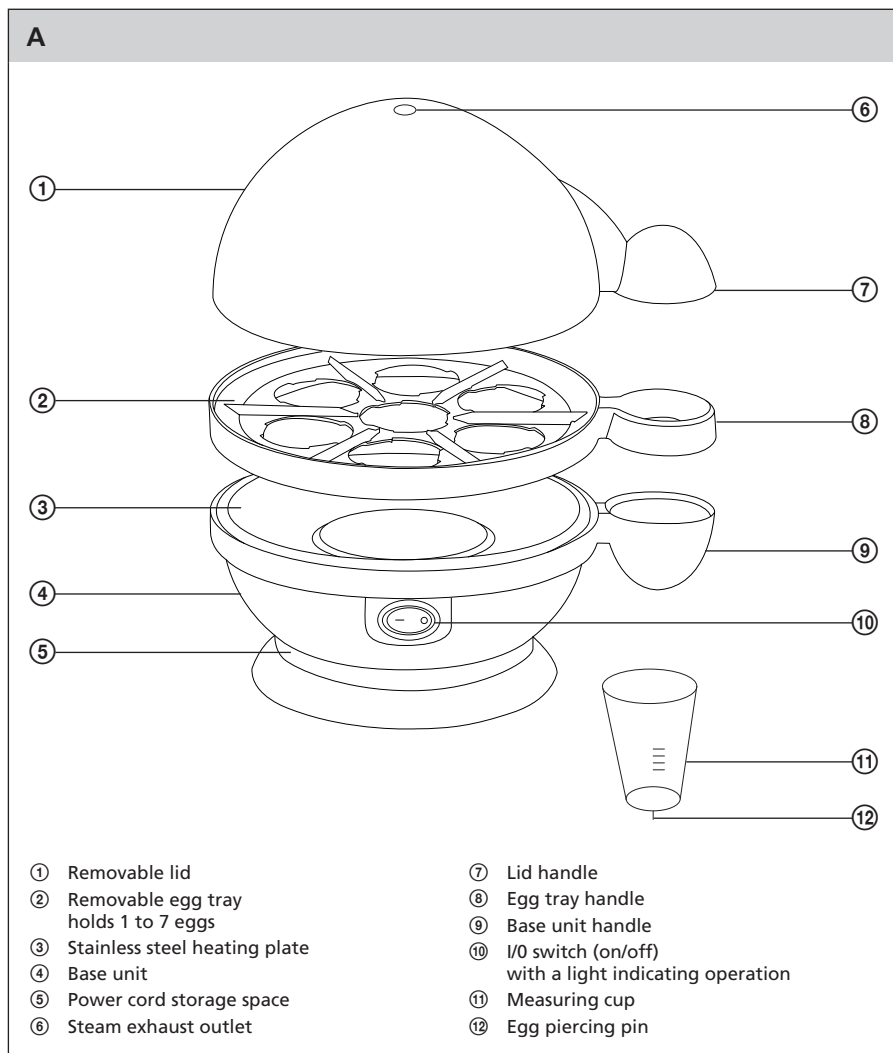
EN

- To avoid the danger of injury by electrical shock, do not repair the appliance yourself or make any adjustments to it. Have all repairs or adjustments of the appliance performed at an authorised service centre.
- By tampering with the appliance you risk voiding your legal rights arising from unsatisfactory performance or quality warranty.

Egg Cooker

SEG 710BP

DESCRIPTION OF THE EGG COOKER



BEFORE FIRST USE

1. Take the appliance and its accessories out of the packaging materials.
2. Before first use, wipe the stainless steel surface of the heating plate A③ using a cloth dampened in a solution of warm water and neutral kitchen detergent. Use a cloth dampened in warm water to thoroughly wipe the surface on to which you applied the kitchen detergent and then wipe it dry.
3. Wash the removable lid A① and the removable egg tray A② in warm water using a neutral kitchen detergent. Then rinse these parts under running water and dry them.
4. Now the appliance is ready for operation.

OPERATION OF THE EGG COOKER

1. Unwind the power cord and place the appliance on a stable, even and clean surface.
2. Place the egg tray A② on the heating plate A③ so that the edge of the heating plate A③ slides into the groove on the underside of the egg tray A②.



Attention:

Take care not to mistake the top and bottom sides of the egg tray A②. When incorrectly installed, the egg tray A② will not be stable and it could fall.

3. Now measure out the water using the included measuring cup A⑩. Only fill the measuring cup A⑩ with cold drinking water. Do not add any other substances, e.g. salt.

The amount of water depends on the desired egg consistency (soft, medium or hard) and the number of eggs. Three measuring scales are marked on the measuring cup A⑩:

- "Soft" (soft-boiled egg);
- "Medium" (medium-boiled egg);
- "Hard" (hard-boiled egg).

Each scale has marks with numbers 1 to 7, which serve to measure out water according to the number of eggs.

Example for measuring out the correct amount of water

You need to measure out water for four soft-boiled eggs. Fill the measuring cup A⑩ with cold drinking water up to the mark with the number 4 on the "Soft" scale (soft-boiled).



Note:

Even when the same amount of water and cooking time is used, the consistency of individual eggs may differ as a result of their varying sizes or freshness.

4. Pour the measured out amount of water on to the heating plate A③. Take care that water is not spilled on to the base unit of the appliance A④ or that water does not flow over the edge of the heating plate A③.
5. Place the number of eggs (pointing upwards) corresponding to the measured out water into the egg tray A②. A maximum of 7 eggs can be boiled at the one time. Always use only fresh eggs. Tap and pierce the tip of every egg using the piercing pin A⑫ located on the underside of the measuring cup A⑩. Do not use excessive force so as not to crack the egg. As a result of being pierced, a small amount of egg white may escape on to the surface of the shell, where it will harden. This is a completely normal event.



Attention:

Be especially careful not to injure yourself on the egg piercing pin A⑫ located on the underside of the measuring cup A⑩.

6. Put on the lid A① and check that it is properly seated on the egg tray A②.

Egg Cooker

SEG 710BP

7. Connect the power cord to an el. power socket. Turn the appliance on by setting the I/O switch A⑩ to position I (On). An indicator light will turn on, indicating that the appliance is running. The heating plate A③ will start heating the water. The following approximate egg cooking time is required:

Consistency	Approximate cooking time
Soft-boiled eggs	5 min
Medium-boiled eggs	10 min
Hard-boiled eggs	15 min



Attention:

The appliance heats up during operation and steam is emitted from the steam outlet A⑥. Be especially careful that your skin does not come into contact with the hot surface or the emitted steam. Do not open the lid A① or handle the appliance in any way.

Certain parts of the appliance remain hot even some time after it is turned off. Use the handles to handle the appliance.



Note:

When the appliance is used for the first time there may be light smoke emitted. This is completely normal and is not a defect and it will disappear in a short time.

8. As soon as the cooking process is complete, an acoustic signal will be made. Set the I/O switch A⑩ to position 0 (Off). The acoustic signal will turn off and the I/O switch indicator light A⑩ will turn off. Disconnect the power cord from the el. power socket. Hold the lid A① by the handle A⑦, take it off and place it on a heat resistant surface. Take out the egg tray A② and place it, together with the eggs, under cold running water. Then the shells will be easier to remove and you will prevent overcooking your eggs.
9. Clean out the appliance after each use according to the instructions in chapter Cleaning and maintenance.

CLEANING AND MAINTENANCE

- Before cleaning it, make sure that the appliance is turned off and disconnected from the power socket. Allow hot parts of the appliance to cool down.
- Wash the removable lid A① and the egg tray A② in warm water using a neutral kitchen detergent. Then thoroughly rinse these parts under running water and dry them.



Note:

Do not wash the removable lid A① and the egg tray A② in a dishwasher!

- Wipe the heating plate A③ using a cloth dampened in a solution of warm water and neutral kitchen detergent. Use a cloth dampened in warm water to thoroughly wipe the surface on to which you applied the kitchen detergent and then wipe it dry.



Attention:

Never apply limescale deposit cleaning agents on to a hot heating plate A③!

- Use a dry wiping cloth for cleaning the base unit A④. In the event of heavier soiling, dampen the cloth in a weak solution of neutral kitchen detergent. After applying the kitchen detergent, wipe the surface of the egg cooker with a lightly damp cloth and then wipe dry.
- Never use abrasive cleaning products, petrol, solvents, steel wool, etc. for cleaning.

Removing lime scale deposits

- Egg shells contain many calcium salts so we recommend that lime scale deposits are regularly removed from the heating plate A③.
- Pour a small amount of vinegar into the measuring cup A① and add water. Make sure that the solution level does not exceed mark 1 on the "Hard" scale. Pour the solution directly on to the heating plate A③ and allow it to act for 30 minutes. Then remove the solution and wipe the heating plate A③ with a clean lightly dampened cloth and wipe dry.



Attention:

Never heat up the solution intended for removing limescale deposits in the appliance!

TECHNICAL SPECIFICATIONS

Rated voltage	220–240 V
Rated frequency	50 Hz
Rated power input	320–380 W

We reserve the right to change text and technical specifications.

INSTRUCTIONS AND INFORMATION REGARDING THE DISPOSAL OF USED PACKAGING MATERIALS

Dispose of used packaging material at a site designated for waste in your municipality.

DISPOSAL OF USED ELECTRICAL AND ELECTRONIC EQUIPMENT



This symbol on products or original documents means that used electric or electronic products must not be added to ordinary municipal waste. For proper disposal, renewal and recycling hand over these appliances to determined collection points. Alternatively, in some European Union states or other European countries you may return your appliances to the local retailer when buying an equivalent new appliance.

Correct disposal of this product helps save valuable natural resources and prevents potential negative effects on the environment and human health, which could result from improper waste disposal. Ask your local authorities or collection facility for more details. In accordance with national regulations penalties may be imposed for the incorrect disposal of this type of waste.

For business entities in European Union states

If you want to dispose of electric or electronic appliances, ask your retailer or supplier for the necessary information.

Disposal in other countries outside the European Union.

This symbol is valid in the European Union. If you wish to dispose of this product, request the necessary information about the correct disposal method from the local council or from your retailer.



This appliance meets all the basic requirements of EU directives related to it.